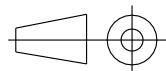
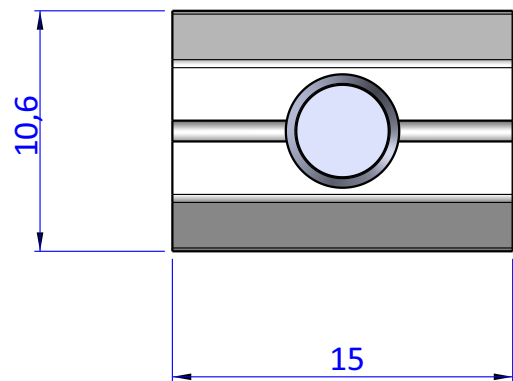
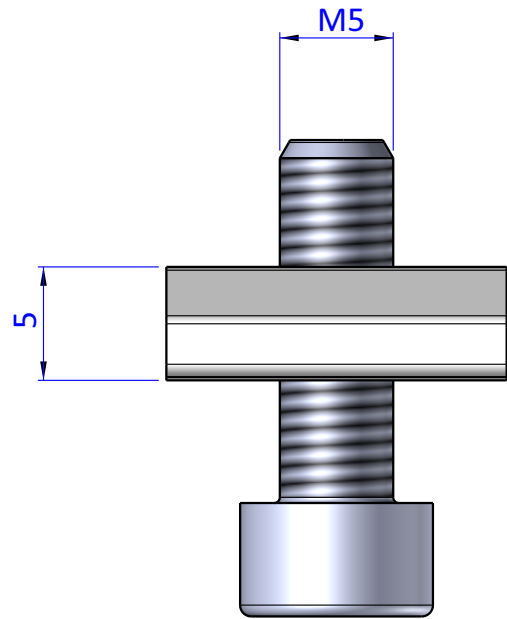
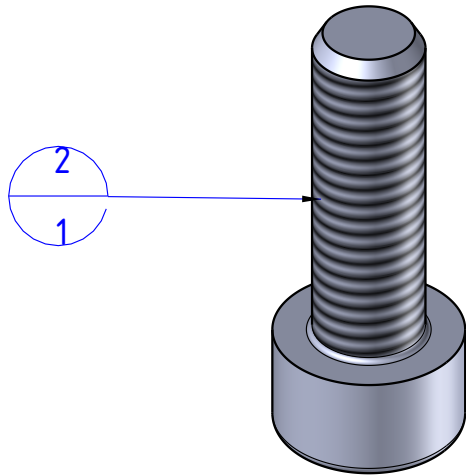
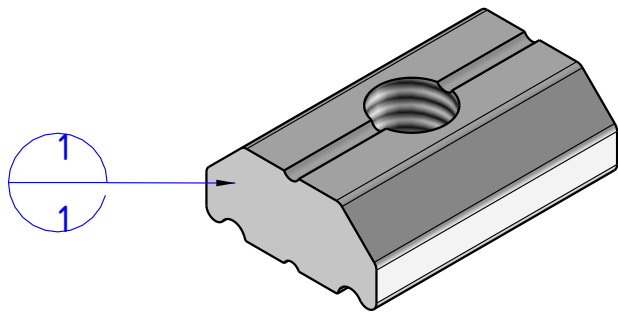


THE PROPERTY OF THE DRAWING IS ESTABLISHED BY LAW. IT IS FORBIDDEN TO PRODUCE OR SHOW IT TO THIRD PART, WITHOUT A WRITTEN AGREEMENT.

Item	Name	Q.ty
1	CA.GWP.5U	10
2	V.TCE5x16	10



DESIGNED FROM <b>FPS Automation</b>		REVIEW <b>A</b>
DATE <b>01/03/2021</b>	WEIGHT <b>0,009kg</b>	
CODE <b>CA.SV.X.5</b>		

Format **A4**

**UNI 936-76**

GENERAL TOLERANCE

UNI - ISO 2768

CLASSE f

DESCRIPTION

**CA.SV.X.5**